



Illustrated Parts List

**Pressure Washer / Lavadora de Presión
Model / Modelo 020316-1**



**Questions? Preguntas?
Helpline - 1-888-611-6708 M-F 8-5 CT**

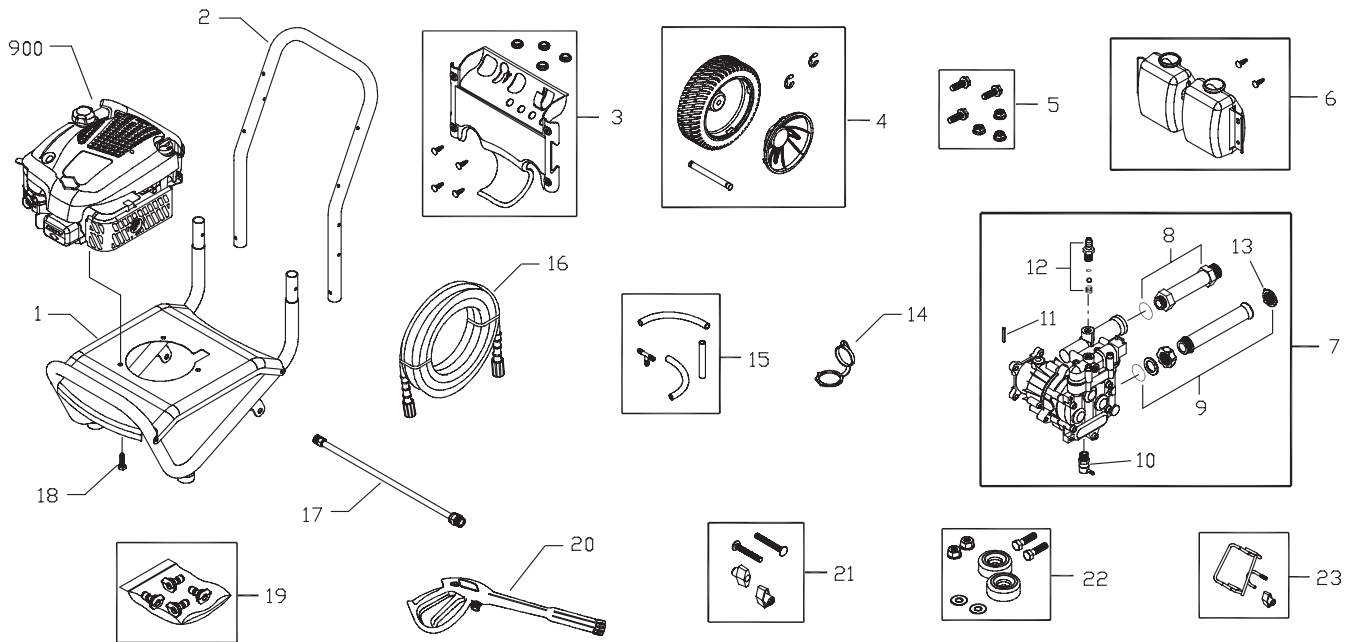
Troy-Bilt® is a registered trademark of MTD Products Inc and is used under license to Briggs & Stratton Power Products.
Troy-Bilt® es una marca registrada de MTD y se usa abajo licencia a Briggs & Stratton Power Products

**Briggs & Stratton Power Products Group, LLC
Jefferson, Wisconsin, U.S.A.**

Model No. 020316-1 (3000 PSI (206.8 BARS) Pressure Washer) Manual No. 205312A Revision - (11/29/2007)

Exploded View and Parts List

EXPLODED VIEW — MAIN UNIT



Copyright © 2007 Briggs & Stratton Power Products Group, LLC. All rights reserved. No part of this material may be reproduced or transmitted in any form by any means without the express written permission of Briggs & Stratton Power Products Group, LLC.

Exploded View and Parts List

PARTS LIST — MAIN UNIT

Item	Part #	Description	Parts Not Illustrated	
1	201366GS	BASE, w/Mounts	205312GS	MANUAL, Operator's
2	P199110GS	HANDLE	194256GS	KIT, Tag/Warning Service
3	202007GS	KIT, Billboard w/Decals & Clips	BB3061BGS	OIL BOTTLE
	195964GS	Clips, Tree	794693	LABEL, Warning
	30809GS	Grommet	202251GS	GRIP
4	201394GS	KIT, Wheel	201830GS	DECAL, Shroud
	192050GS	E-Ring	794697	COVER, Static Label/Assy
	200519GS	Hubcap	87815GS	GOGGLES
	201313GS	Axle		
5	192131GS	KIT, Pump Mounting Hardware	Optional Accessories	
6	205366GS	KIT, Assy, Chemical Tank w/Clips	6048	KIT, O-Ring
	192980GS	Kit, Valve	6039	PUMP SAVER
	195964GS	Clips, Tree		
7	198164GS	ASSY, Pump, Complete	§ - Contact Engine Manufacturer	
8	190589GS	Kit, Outlet, Anodized		
9	190588GS	Kit, Water Inlet, Anodized		
10	194298GS	Valve, Thermal Relief		
11	23139DGS	Key		
12	190593GS	Kit, Chemical Injection		
13	B2384GS	Filter, Inlet		
14	B3222AGS	CAP, Chemical Tank, A		
	B3222BGS	CAP, Chemical Tank, B		
15	196813GS	KIT, Hose/Tee		
16	196138GS	HOSE		
17	200595GS	EXTENSION		
18	75246GS	HHS, Trilobular, 3/8-16 x 1-1/4		
19	199098GS	KIT, Nozzles		
	198841GS	Nozzle, Soap		
	195983AAGS	Nozzle, QC, Red		
	195983XGS	Nozzle, QC, Yellow		
	195983RGS	Nozzle, QC, White		
20	204627GS	GUN		
21	B2203GS	KIT, Handle Connector		
22	192310GS	KIT, Vibration Mount		
23	201661GS	KIT, Gun Holder, Weldment		
900	§	ENGINE		