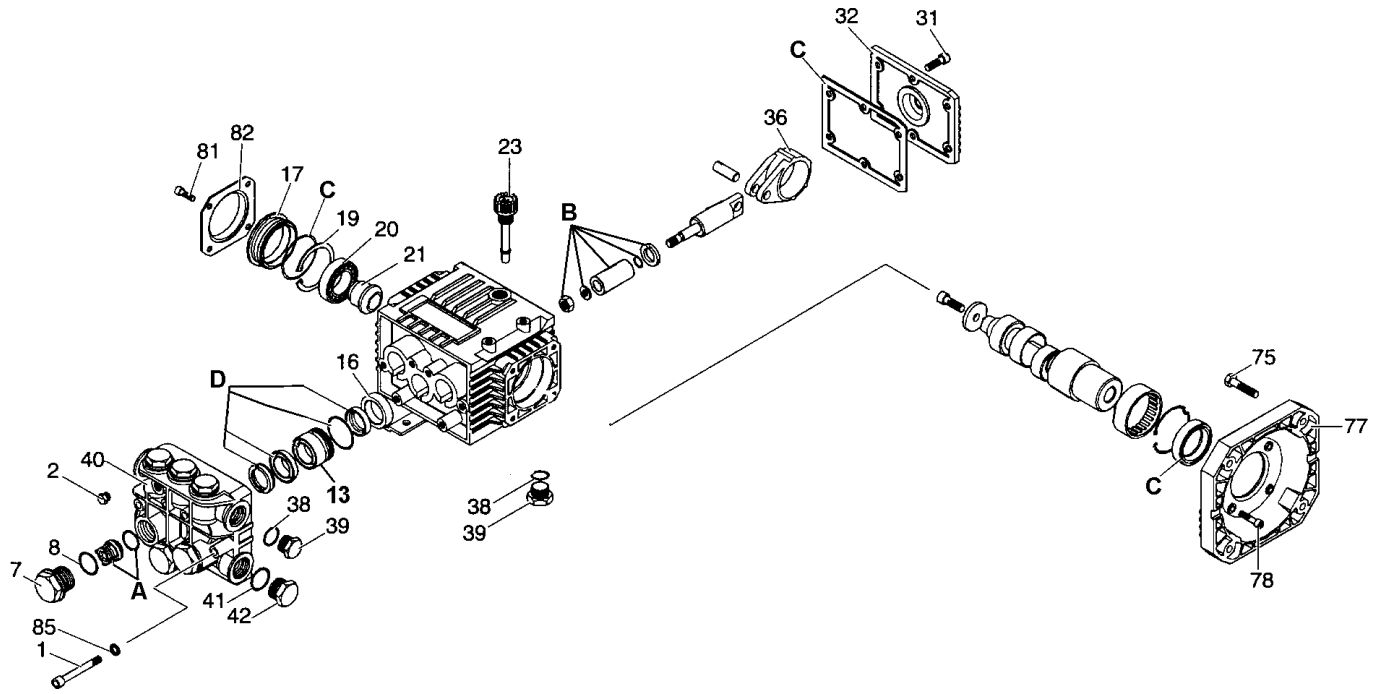


PK16857 - XTV3G16 - PUMP - AR



PK16857 - XTV3G16 - AR PUMP PARTS LIST

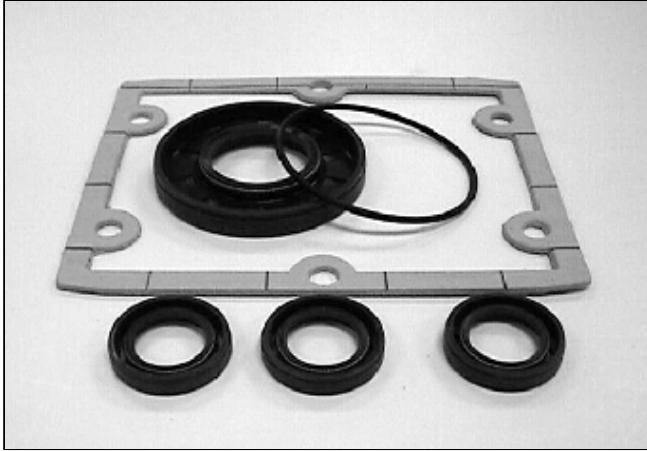
<u>Key#</u>	<u>Part #</u>	<u>Description</u>
1	AR-1322730	Screw
2	AR-620301	Plug
7	AR-1260162	Plug
8	AR-960160	O-ring
13	AR-1260151	Piston Guide
16	AR-1260460	Seal
17	AR-1320320	Plug
19	AR-1260790	Circlip
20	AR-1320370	Bearing
21	AR-1320330	Bushing
23	AR-880130	Oil Plug
31	AR-1260760	Screw
32	AR-1329010	Complete Cover
38	AR-740290	O-ring
39	AR-880530	Plug
40	AR-1320022	Pump Head
41	AR-180101	O-Ring
42	AR-820360	Plug
75	AR-650610	Screw
77	AR-1320060	Motor Flange
78	AR-1200430	Screw
81	AR-1321780	Screw
82	AR-1321420	Cover
84	AR-1321080	Snap Ring
85	AR-1381550	Washer
A	AR-1864	Valve Kit
B	AR-2628	Plunger Kit
C	AR-1860	Oil Seal Kit
D	AR-1866	Water Seal Kit
E	AR-2944	Unloader

General Information:

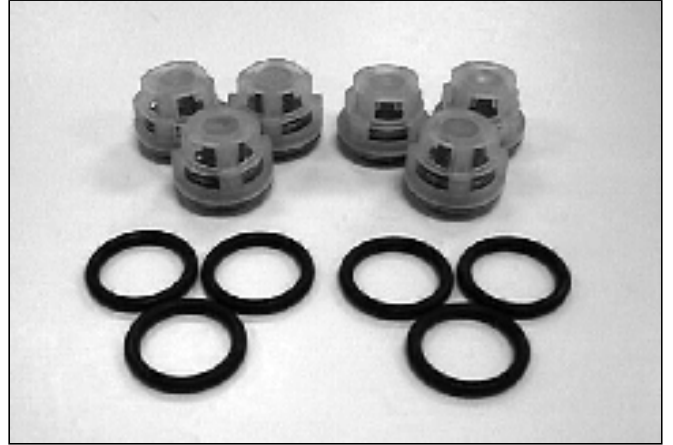
- 30W non-detergent oil, 9.92 oz.
- Fill to the middle of sight glass
- Replacement part for 1503A and XTV3G16, Kit contains: 16857 (XTV3G16) pump, F035 quick connect, H140 chemical hose, 16829 adapter (inline filter), P448 key, AR-1321520 adapter plate, 15171 screw, 3/8 (qty 4 pump to adapter), F107 lock washer, 3/8 (qty 4 pump to adapter), 15167 screw, 5/16-24 (qty 4 adapter to engine), F078 Lock washer 5/16 (qty 4 adapter to engine)

PK16857 - XTV3G16 - AR - REPAIR KITS

AR-1860 Oil Seal Kit



AR-1864 Valve Kit



AR-1866 Water Seal Kits



AR-2628 Piston Kit

